

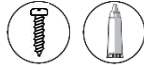
Included in the package



--> Rear Diffuser

--> Silicone

--> 8 X Screws



**⚠** We highly recommend having your products installed by a specialist.

Installation

Resources  
needed!



Screwdriver - Masking Tape - Cloth

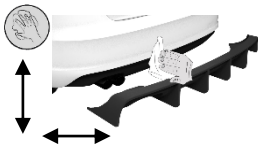


At least two people



Around 30 min

Centering



Center the diffuser on the car's rear bumper to find the right place for the product to be installed. Make sure that you match the diffuser to the bumper.

Cleaning



Clean the car's surface and the diffuser with cleaner. Let the surfaces dry.

Apply silicone



Apply silicone over and across the top side of the product's surface that attaches to the car (white line in the image).

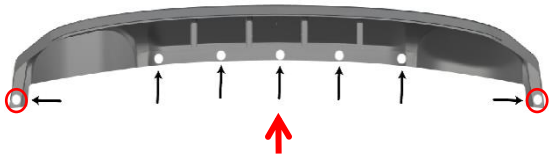
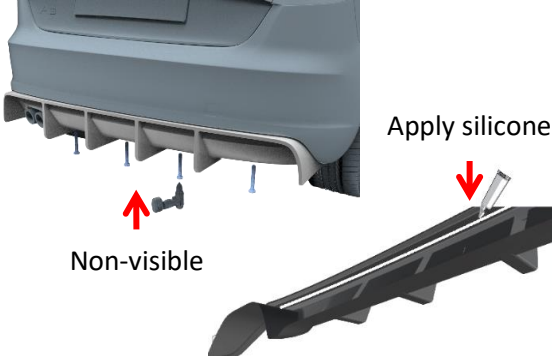
**⚠** Excessive silicone could overflow and become visible once the diffuser is attached.

Attaching

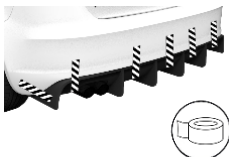


Carefully place the diffuser on the car and attach the screws to their contact points. Screw the bolts while holding the diffuser to the right place.

Detailed attaching instructions

 <p>Equally distanced</p>	<p><b>We recommend:</b></p> <ul style="list-style-type: none"><li>--&gt; Support the fitting process with silicone as indicated above.</li><li>--&gt; Using 2 screws at the right and left edges of the product.</li><li>--&gt; Using 5 - 6 screws at the middle of the product. The screws should be equally distanced from each other.</li><li>--&gt; Drill under and at a non-visible part of the car, as shown in the image.</li></ul>
 <p>Non-visible</p> <p>Apply silicone</p>	

**Securing**



Press the diffuser at the places where you have applied the silicone and secure it with suitable strong adhesive tape.

**⚠ The adhesive tape should hold the product on the car tightly. Remove it after 24 hours.**

**Vehicle Use**

The vehicle is now ready to be used according to the instructions below.

	<b>12h</b>	max. <b>100</b> km/h	<b>24h</b>			<b>48h</b>
---	------------	----------------------	------------	---	---	------------